

# Driven by Gorilla Post System Technology



Magnetic Mounting System



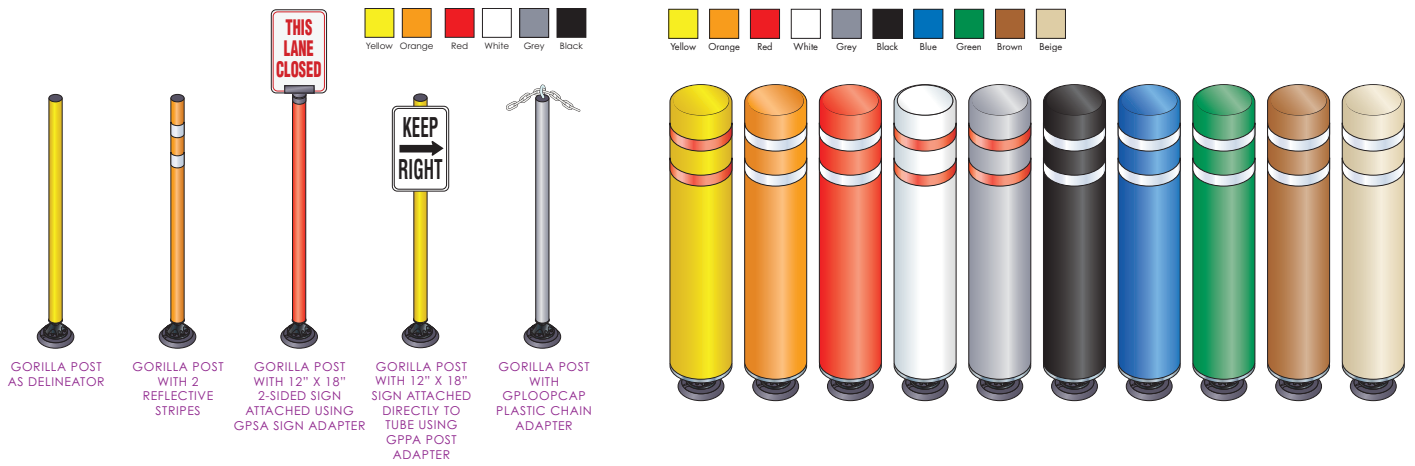
The Gorilla Post™ system offers a wide variety of products to solve a vast range of delineation and signpost challenges. Several of our products are suitable for use in roadways.

The revolutionary Gorilla Post Magnetic Base System is ADA-compliant, with over a decade of use by our global customers. A set of powerful magnets in the base, with almost 400 pounds of resistance, temporarily couples to a thin metal base plate adhered to either concrete or asphalt. Uncoupling the post or bollard is simple using a specially designed removal tool that is part of the system.

## REMOVABLE SIGNPOST, DELINEATOR & BOLLARD OFFERINGS

FEATURES POST COMPARISON	2 1/3" DIAMETER POST	4" DIAMETER BOLLARD	7" DIAMETER BOLLARD
OPTIONS FOR BASE	<b>Mag</b> = Magnetic base. <b>FX</b> = Non-magnetic with bolts. <b>QR</b> = Non-magnetic with spring pin	<b>Mag</b> = Magnetic base. <b>FX</b> = Non-magnetic with bolts. <b>QR</b> = Non-magnetic with spring pin	<b>Mag</b> = Magnetic base. <b>FX</b> = Non-magnetic with bolts. <b>QR</b> = Non-magnetic with spring pin
FLEXES UPON IMPACT	All bases	All bases	All bases
SUITABLE TO HOLD 12" X 18" ALUMINUM SIGN	All bases	All bases	None
SUITABLE FOR USE IN ROADWAYS	FX and QR bases only	FX and QR bases only	None
LIKELY TO REMAIN USABLE UPON VEHICULAR BUMPER IMPACT	All bases. Mag may decouple and shift out of position upon impact.	All bases. Mag may decouple and shift out of position upon impact.	None
WEIGHS UNDER 10 POUNDS	All bases	All bases	All bases
ELAPSED TIME TO REMOVE POST/BOLLARD FROM BASE	Mag base is 10 seconds using removal tool, FX base is 2 minutes with hex wrench, QR base is 10 seconds.	Mag base is 10 seconds using removal tool, FX base is 2 minutes with hex wrench, QR base is 10 seconds.	Mag base is 10 seconds using removal tool, FX base is 2 minutes with hex wrench, QR base is 10 seconds.
ADA COMPLIANT BASE	Mag only	Mag only	Mag only
COLOR OPTIONS FOR TUBE/BOLLARD	Yellow, Orange, Red, Gray, White and Black with reflective striping options	Yellow and White with reflective striping options	Yellow, Orange, Red, Gray, White, Black, Blue, Green, Brown and Beige with reflective striping options

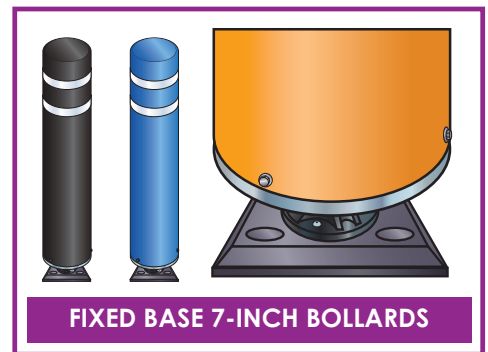
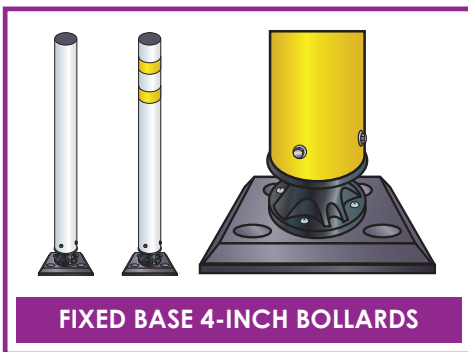
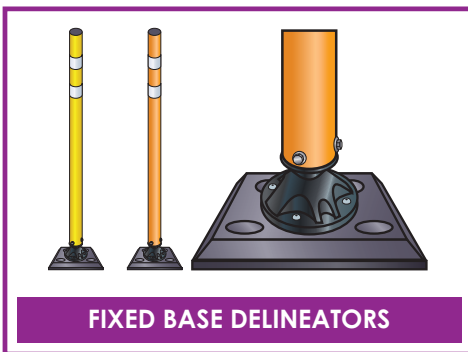
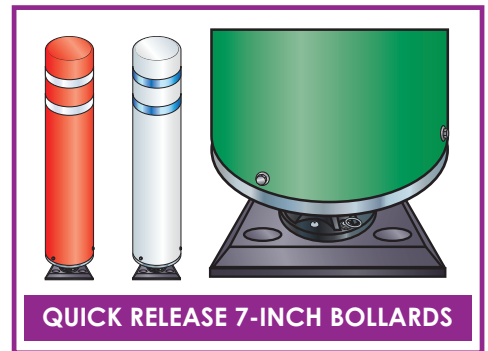
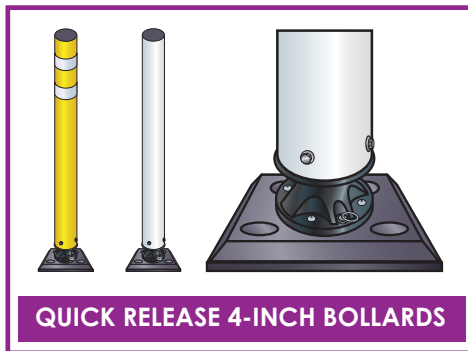
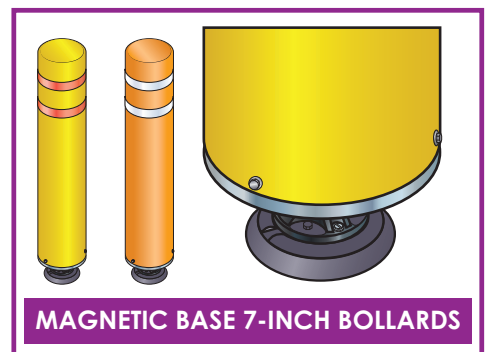
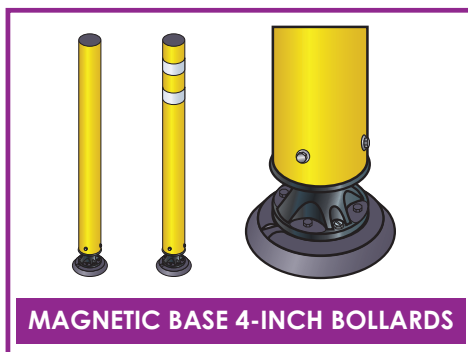
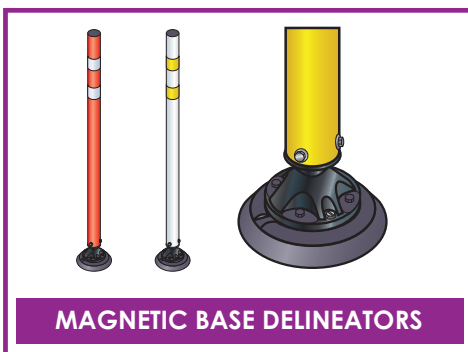




## 2-1/3" DIAMETER POST

## 4" DIAMETER BOLLARD

## 7" DIAMETER BOLLARD



Lyle Peters - U.S. Sales Director  
 1.800.292.7275 ext. 211  
**GorillaPost.com**  
 Lyle@ParkingZone.com

14208 NW Third Court • Suite 200  
 Vancouver, WA 98685-5759